

NUMBER: S.B. M20-224

DATE: 9-23-80

SUBJECT: FUEL FLOW TRANSDUCER, AEROSONIC PART NO. 32622-6

MODELS/
SERIAL NOS.
AFFECTED:

Mooney Model M20K, S/N 25-0282, -0285, -0293 thru
-0295, -0297 thru -0300, -0304,
-0305, -0307 thru -0310, -0314,
-0317, -0333, -0335 thru -0352,
-0354, -0359, -0362, -0364 thru
-0371, -0374 thru -0377, -0379
thru -0400, -0403, -0405 thru
-0407, -0413, -0415 thru -0417,
-0419 and ALL M20K's and applicable
M20J's that have had the fuel flow
transducer replaced between 1-1-80
and 8-14-80.

NOTE: APPLICABLE M20J's have the Digital Fuel Management
Totalizer System installed as optional equipment.
The standard M20J does not incorporate this
transducer.

TIME OF
COMPLIANCE:

Within next 25 hours of operation or next scheduled
maintenance, whichever is sooner.

INTRODUCTION:

It has been determined that certain transducers manu-
factured by Aerosonic were improperly assembled and on
some installations may leak or come apart during engine
operation. This Bulletin requires inspection and
replacement of suspect transducers on above aircraft
serial numbers.

INSTRUCTIONS:

General: Unless the transducer has been replaced on the
aircraft serial nos. listed above since new,
the transducers must be replaced.

Other aircraft listed above without specific
S/N's will require inspection per the following:

- 1) Remove cowling.
- 2) Remove the two AN3-12A bolts, nuts and washers from
the 660233-13 bracket, transducer and fireshield
sleeving.
- 3) Remove the firesleeving from fuel flow transducer
installation.

Instructions cont'd...

- 4) Loosen the nuts on the C10Y-34-6S clamp assy and rotate bracket and clamp so the back side of the transducer is exposed. Inspect for the name "FLOSCAN" embossed on the backing plate of the transducer housing. If the name "FLOSCAN" is found on unit it does not need replacing.
- 5) If no name is found on the backing plate, the transducer must be removed and replaced with a "FLOSCAN" unit.
 - a. Disconnect the fuel lines from the transducer ports.
 - b. Remove sleeving from knife blade type connections and disconnect.
- 6) Install and secure the new transducer and leak check all fuel fittings prior to covering with the firesleeve. Install 45° elbow and union to transducer to a minimum torque of 40 inch/lbs., rotate to index to position. If leak persists, tighten one full turn, do not overrun or back off. Torque fuel line flare nut fittings to 50-90 inch/lbs.
- 7) Reinstall cowling and all connections for landing lights and cowl flaps.
- 8) The replaced units should be returned to Mooney Aircraft Corporation with completed Compliance Card and Warranty Application form.
- 9) Make appropriate entry in the aircraft engine log book.

REFERENCE DATA:

A.D. 80-17-04 Amendment 39-3873, August 13, 1980

PARTS LIST:

Kit No. M20-224-001

<u>Qty.</u>	<u>Part Number</u>	<u>Description</u>
1 ea.	32622-6 Aerosonic P/N (FLOSCAN P/N 201B)	Transducer, Fuel Flow

FIGURES/
TABLES:

See Figure 1 attached.

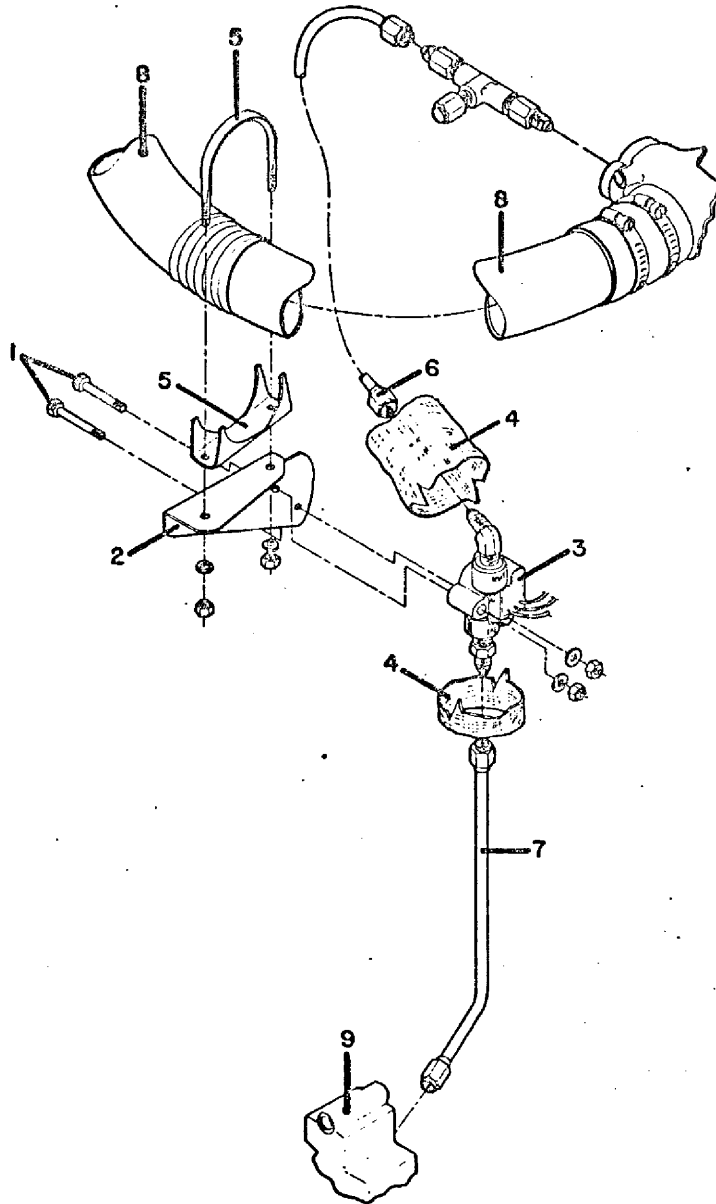


FIGURE 1

<u>Item</u>	<u>Part No.</u>	<u>Description</u>
1	AN3-12A	Bolts
	AN960-10L	Washer
	AN363-1032	Nut
2	660233-13	Bracket
3	32622-6	Transducer (FLOSCAN 201B)
4	2650-28	Firesleeve (Stratoflex)
5	C10Y-34-6S	Clamp
6	660233-509	Tube Assy
7	660233-511	Tube Assy
8	TSIO-360-GB	Engine Induction Tubes
9	TSIO-360-GB	Engine Driven Fuel Pump